

(1) (2) (3) (4) (5) (6) (7) (8) (9) (10)
 SMR Federal DESCRIPTION UNIT Qty 30-day DS maint 30-day GS maint 1-yr Depot illustration
 Code Stock Number of inc. allowance allowance alw maint
 meas in Unit 100 per (a) (b)
 equip 100 Figure Item
 (a) (b) (c) (a) (b) (c) cnt- equip No. No.
 Reference Number & Mfr. Code Usable On Code 1-20 21-50 51-100 1-20 21-50 51-100 gcy

0607-INSTRUMENT PANEL-CONTINUED

X2-O		BRACKET:MAP COMPARTMENT DOOR 7397851 (19207)	A	EA	2	*	*	*	*	*	*		18	14	
X2-O		SCREW,MACHINE:MAP COMPARTMENT 164475 (21450)	A	EA	14	*	*	*	*	*	*		18	15	
P-O	2540-459-3194	BOX:MAP COMPARTMENT 7397850 (19207)	A	EA	1	*	*	*	*	*	*	3	5	18	16
P-O	2510-737-3340	DOOR: MAP COMPARTMENT 7373340 (19207)	A	EA	1	*	*	*	*	*	*	3	5	18	17
P-O	5310-877-5797	NUT,SELF-LOCKING:MAP BOX (10)AND DOOR(2),PANEL LIGHT SWITCH BRACKET(2) MS21044N3 (96906)	A	EA	14	*	*	*	*	*	*	6	10	18	18
X2-O		PANEL ASSEMBLY,INSTRUMENT CLUSTER: 8376484 (19207)	A	EA	1	*	*	*	*	*	*		18	19	
P-O	6220-538-1088	LEVER,SWITCH:FLOODLIGHT(1) (M62,M139,139C,139D, M543)FUEL SELECTOR(1) (M51,M52,M52A1,M61,M62,M543) WARNING LIGHT(1) (M62,M246,M543)IGNITION SWITCH(1),LIGHT SWITCH (3) 5381088 (19207)	A	EA	7	*	*	*	*	*	*	6	10	18	20
P-O	6615-603-6280	PLUG:VALVE CONTROL HOLE 432478 (21450)	A	EA	1	*	*	*	*	*	*		18	21	
X2-O		PLUG:SWITCH BUTTION HOLE 192769 (21450)	A	EA	1	*	*	*	*	*	*		18	22	
P-O	2540-057-1642	CABLE ASSEMBLY,AUXILIARY: 7418959 (19207)	A	EA	1	*	*	*	*	*	*	4	10	18	23
P-O	2530-040-2218	BRACKET ASSEMBLY:UPPER STEERING COLUMN JACKET 7351016 (19207)	A	EA	1	*	*	*	*	*	*	3	5	18	24
X2-O		BRACKET:UPPER STEERING COLUMN JACKET 10883341 (19207)	A	EA	1	*	*	*	*	*	*		18	25	
P-O	5306-225-9089	SCREW,CAP,HEXAGON:UPPER STEERING COLUMN BRACKET MS90726-34 (96906)	A	EA	6	*	*	*	*	*	*	6	10	18	26
P-O	5340-752-1480	BUSHING,RUBBER:UPPER STEERING COLUMN JACKET 7409171 (19207)	A	EA	1	*	*	*	*	*	*	6	10	18	27
P-O	5306-317-3096	BOLT,ASSEMBLED WASHER:UPPER STEERING COLUMN BRACKET CLAMP 596453 (21450)	A	EA	2	*	*	*	*	*	*	6	10	18	28
X2-O		CLAMP:UPPER STEERING COLUMN BRACKET 7521477 (19207)	A	EA	1	*	*	*	*	*	*		18	29	

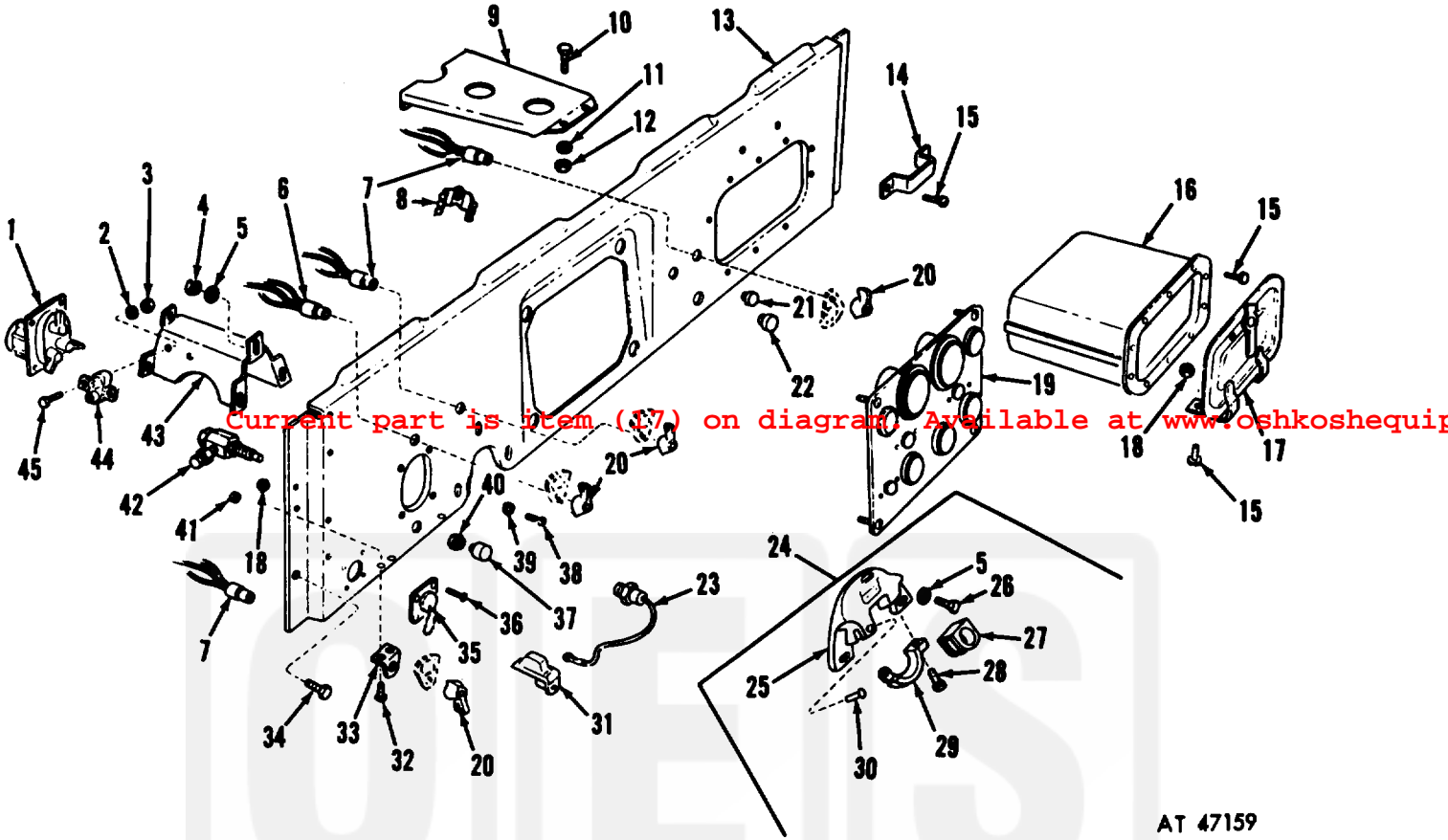


Figure 18. Instrument panel.